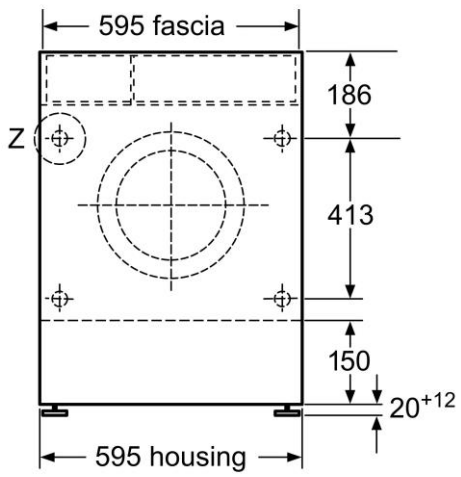
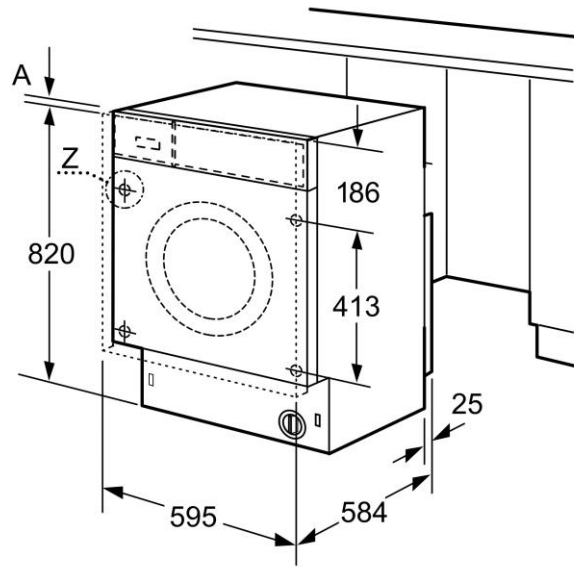


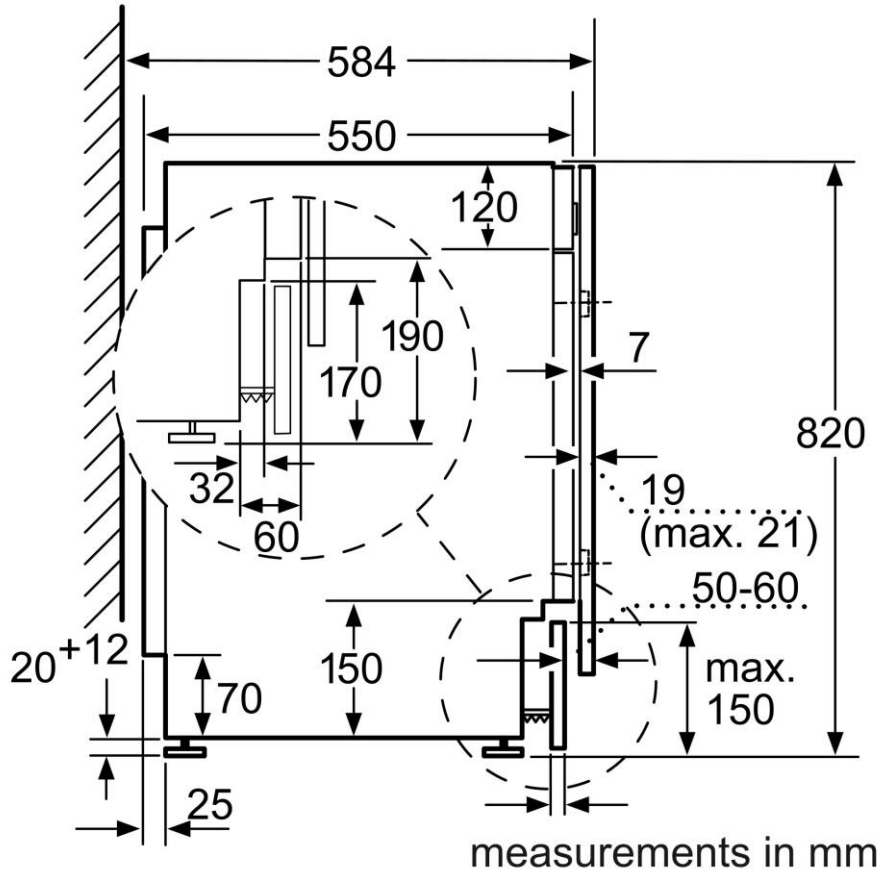
Measurements in mm



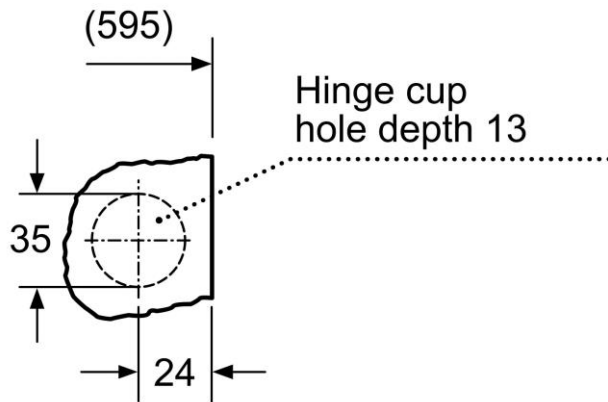
Measurements in mm



Measurements in mm



Z detail



Measurements in mm